

# Christensen CT14

## Features



Rod holder



Hydraulic mud mixer



Water flow meter



RPM meter



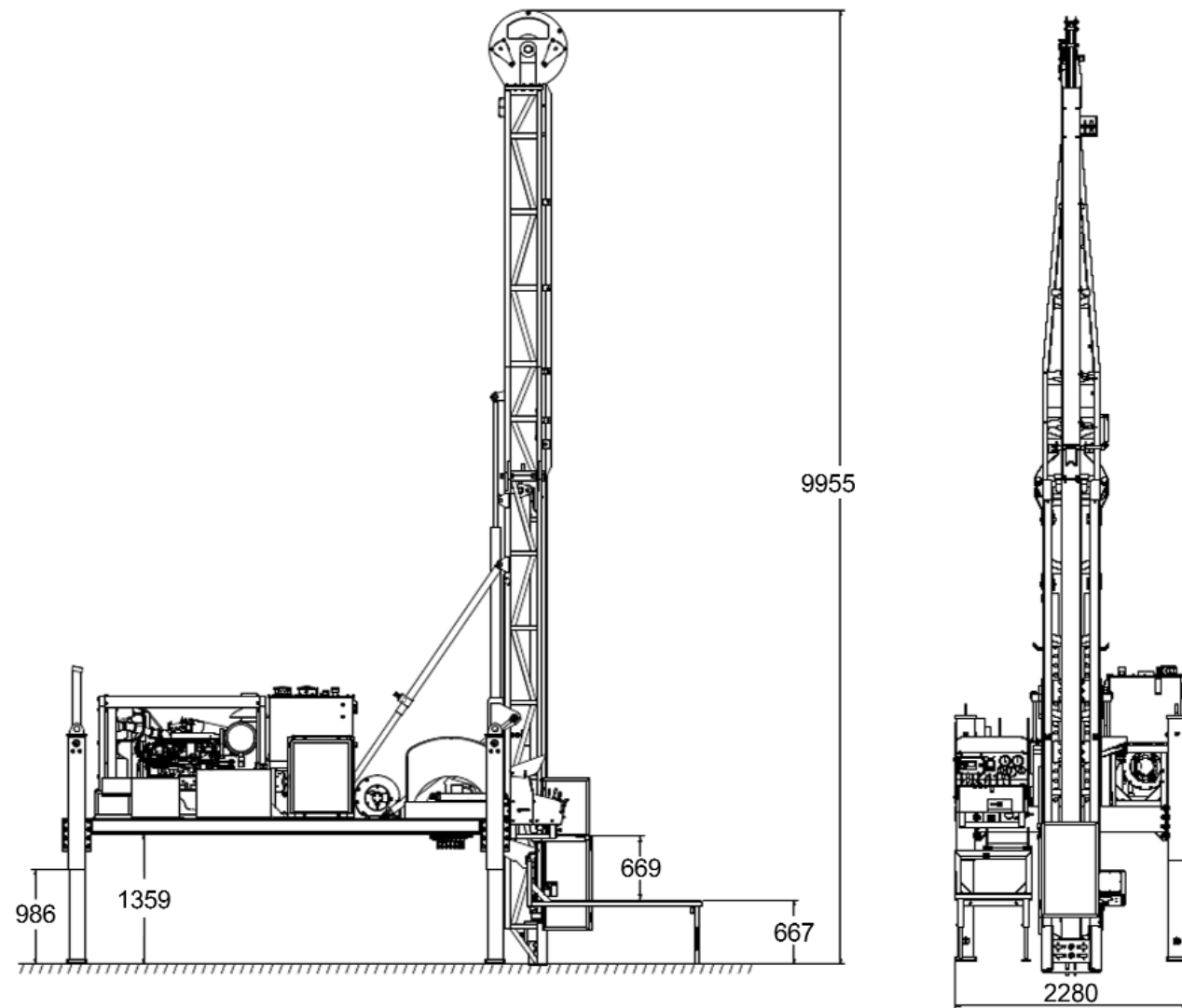
Hydraulic mud pump  
Trido® 140

## Accessories

- Wire line wire
- 5 / 4,75 mm diameter, different length
- Jaw and bushing kit for the rotation and rod holder
- BO
- NO
- HO
- PO
- Tool kit

© Atlas Copco Craelius AB Original AB, 06-02

## Dimensions



## Weight

CT14

8 500 kg (18 700 lb)

6991 1442 01

Atlas Copco reserves the right to make modifications without prior notice.

# Atlas Copco Exploration Drill

## Christensen CT14 Surface Core Drill



# Christensen CT14 Surface Exploration Drill Rig

The Christensen CT14 is the perfect exploration drill for surface applications where a truck mounted is wanted providing high productivity yet having capacity to reach remote drill sites.

The combination of Christensen's long experience of exploration rigs and the knowledge from Atlas Copco has resulted in very powerful rig that is easy and safer to use, built on well proven components providing excellent durability and a rig that is service friendly.

- The CT14 is the exploration driller's first choice.

Improved power, increased safety, user friendly, easy to service, factory mounted features as standard provides the complete rig.

- CT14 has reached a new level for Exploration rigs.

## Features on the CT14

Long mast and feed stroke, powerful main hoist and feed cylinder, Tier III diesel engine, mast slide/mast dump, all contributing to increased productivity. Lightning kit, ergonomic new control panel with all controls at one place, operator platform, rod holder and more provide a good work environment for the operator.



## Depth capacity coring (wireline or conventional)

B wireline	1 540 m	(5 052 ft)
N wireline	1 200 m	(4 042 ft)
H wireline	800 m	(2 695 ft)
P wireline	475 m	(1 558 ft)

Depth are based on vertical hole.

## Main hoist

Single line capacity:	80 kN	(18 000 lb)
		(Bare drum)
Line speed:	44 m/min	(148 ft/min)
		(Bare drum)
Cable size:	35 m (118 ft) x 16 mm (10/16 in)	

## Wireline

Capacity:	1 830 m (6 000 ft)
	of 4,76 mm (3/16 in)
	975 m (3 200 ft)
	of 6,35 mm (1/4 in)
Line pull:	11,9 kN / 3,0 kN
(Bare / Full drum)	(2665 lb) / (668 lb)
Line speed:	114 m/min / 453 m/min
(Bare / Full drum)	(374 ft/min) / (1486 ft/min)

## Power unit

Manufacture:	Caterpillar
Model:	CAT C6.6, 6,6 liter 6 cylinder, Tier III
Power:	161 kW (216 hp)
RPM:	1 800
Engine type:	Diesel turbocharged/after cooled
Cooling:	Water

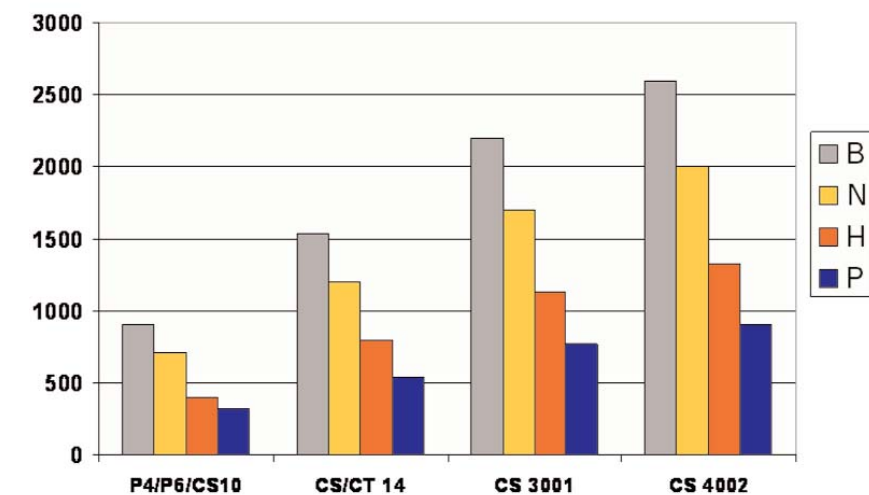
## Drillhead and spindle speeds

Power:	hydraulic motor - variable speed/reversible
Final drive:	4 in chain driven in oil bath - 2,5 ratio
Spindle (inner Ø):	117 mm (4 5/8 in)
Spindle speeds:	

Gear	Ratio	Speed, rpm	Torque, Nm	(ftlb)
1st	6,63:1	117-196	5113-3051	(3771-2250)
2nd	3,17:1	245-410	2445-1459	(1803-1076)
3rd	1,72:1	451-756	1326-792	(978-584)
4th	1,00:1	776-1300	771-460	(569-340)

Range selection:	manual control from operator's station
Hinged head:	swing away

## Depth capacity of the Christens range



## Chuck assembly

Type:	hydraulic open, spring closed
Max inside Ø:	117 mm (4 5/8 in)
Holding capacity:	18 143 kg (40 000 lb)

## Drill base supports

Trailer:	Frame mounted rig designed to be mounted on a truck
Support:	4 hydraulic jacks
Pad diameter:	210 x 210 mm (8,27 x 8,27 in)
Travel length:	900 mm (35,43 in)

## Mast and feed system

Feed travel:	3,5 m (11,5 ft)
Feed speeds:	fast and slow with variable control
Thrust:	59,6 kN (13 390 lb)
Pull:	138 kN (31 020 lb)
Drilling angle:	45 to 90 degrees
Rod pull length:	6,09 m (20 ft)