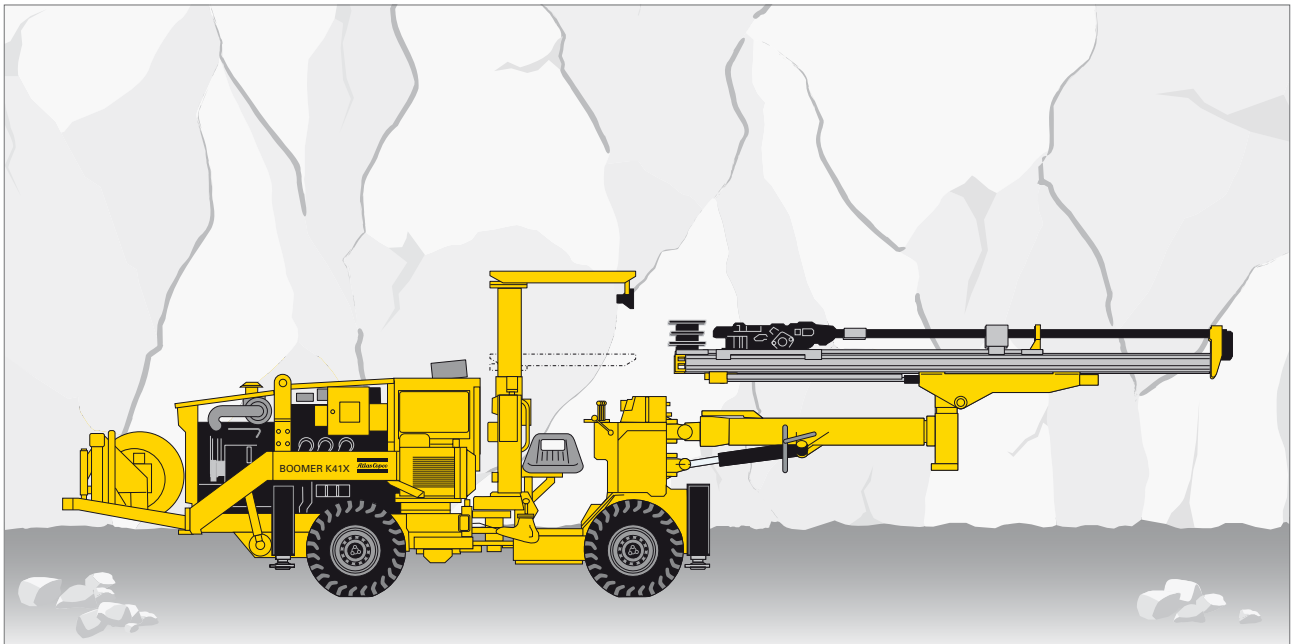


Boomer K41X

Equipped with a COP 1238K rock drill



Direct controlled hydraulic tunnelling and mining rig with one BUT 4B boom and a COP 1238K rock drill for drilling narrow tunnel cross sections.

Standard features

» Rock drill

- COP 1238K rock drill with damping system and upgraded robust housings

» Hydraulic boom

- BUT 4B heavy-duty boom for fast and flexible positioning between holes

» Hydraulic feed

- BMH 2000 heavy-duty aluminium feed with high bending and torsional resistance for maximum durability
- Snap-on stainless steel sleeves and polymer contacts

» Control system

- Hydraulically controlled drilling system which incorporates the anti-jamming function RPCF (Rotation Pressure Controlled Feed force)

» Carrier

- Sturdy, articulated carrier with four-wheel drive
- Powered by a 4-cylinder diesel engine
- Four jacks for stable set-up

» General

- FOPS-approved telescopic protective roof
- Cable reel
- Electrically driven compressor
- Hydraulically driven water booster pump
- Working lights

Specifications

ROCK DRILL

	COP 1238K
Shank adapter	R32/R38/T38
Height over drill centre	88 mm
Length without shank	1 008 mm
Impact power	12 kW
Impact rate	50 Hz
Hydraulic pressure	220 bar
Rotation system	Separate rotation
Rotation speed	0–340 rpm
Rotation torque, max	670 Nm
Lub. air consump. at 2 bar	6 l/s
Water consumption	1.1 l/s
Weight	172 kg
Sound level	<106 dB(A)

FEED

BMH 2000-series	BMH 2325	BMH 2331	BMH 2337
Total length	4 087 mm	4 677 mm	5 287 mm
Drill rod length	2 500 mm	3 090 mm	3 700 mm
Hole depth	2 225 mm	2 814 mm	3 405 mm
Weight incl. rock drill	455 kg	470 kg	490 kg
Feed force	15 kN	15 kN	15 kN

» Boom

- Boom BUT 4B
- Feed extension 1 500 mm
- Boom extension 900 mm
- Feed roll-over 360°
- Feed rotation ±114°
- Feed dump cylinder +18°/-79°
- Max. swinging angle ±30°
- Weight, boom only 1 042 kg

» Air System

- Compressor Atlas Copco LE3
- Capacity, max at 7 bar 4.4 l/s
- Air pressure gauge

» Water System

- Hydraulic driven water booster pump Flygt PXR411H
- Water booster pump max capacity at 7 bar 80 l/min
- Min. water inlet pressure, bar 2 bar
- Water flow guard

» Control system

- Direct hydraulic Control System, DCS
- Basic functions such as anti-jamming included

» Electrical system

- Total installed power 50 kW
- Main motors 1 x 45 kW
- Voltage 380 V
- Frequency 50 Hz
- Starting method star/delta (380 V) direct (1 000 V)
- Thermal overload protection for electric motors
- Percussion hour meter
- Digital voltmeter/amperage meter in electric cabinet
- Phase sequence indicator
- Earth fault indicator
- Battery charger
- Transformer 1.8 kVA
- Cable reel, inner/outer diameter, mm 500/750

» Hydraulic system

- Hydraulic pumps 1 unit
- Pumps unloaded at start
- System pressure 230 bar
- Hydraulic oil tank, volume 124 l
- Low oil level indicator
- Manual oil filling pump
- Oil filter indicator
- Water cooled oil
- Filtration 16 µm
- Mineral hydraulic oil

» Carrier

- Deutz 4-cylinder, F4L 912W, 4 stroke prechamber diesel engine
- Power rating at 2 300 rpm 42 kW (57 hp)
- Torque at 1 550 rpm 198 Nm
- Articulated steering ±40° steering angle
- Catalyser
- Silencer
- Fixed seat for tramming with safety belt
- Four-wheel drive
- Hydrostatic power steering system
- Hydrostatic transmission
- Front axle Dana 111D
- Rear axle Dana 111D, ±7° oscillation
- Tyres 8.25 x R15
- Clearance outside axles 17°
- Hydraulic jacks, front 2 extendable
- Hydraulic jacks, rear 2
- Service brakes 2 separate circuits
- Emergency and parking brakes SAHR
- Fuel tank, volume 40 l
- Electric system 24 V
- Batteries 2 x 70 Ah
- Tramming lights 4 x 70 W
- Working lights 2 x 200 W, 24 V
- Central lubrication system
- Spirit level
- Fire extinguisher
- Gradeability at max. load on drive wheels 1:4
- Horn, beacon and reverse alarm

DRIFTER RODS

Dimension		Min. hole diameter
mm	R32-H35-R38	45
	R32-H35-T38	45
	R32-H35-T38 Speedrod	45
	SR35-H35-R38 Speedrod	45
	SR35-H35-T38 Speedrod	45
	SR35-H35-T38	45
	SR35-R39-T38	45
	R32-R39-T38	45
	SR35-R39-T38	45
	SR35-R39-T38 Speedrod	45

SHANK ADAPTERS

Thread		Diameter	Length
mm	R32	38	435
	R38	38	435
	T38	38	435
	R32*	38	525
	T38*	38	525

*Intended for extension drilling with BSH 110

COUPLINGS

Thread		Diameter	Length
mm	R38	55	170
	T38	55	190

EXTENSION RODS FOR INJECTION DRILLING/RAS

Dimension		Min. hole diameter
mm	Rnd 32 Speedrod	51
	Rnd 38 Speedrod	64

Optional equipment**» Rock drill/Drilling system**

- Big hole drilling system
- Hole blowing kit with external air supply
- Water mist flushing with external water and air supply
- Rock drill lubrication warning kit

» Feed

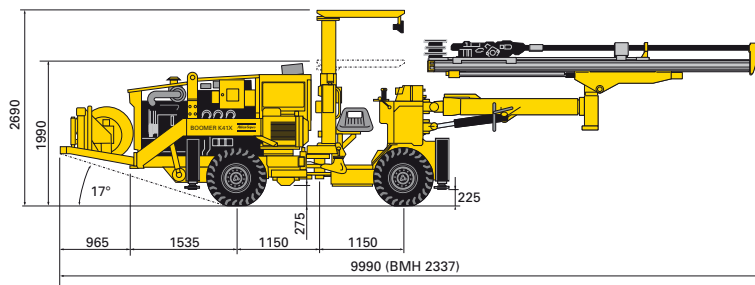
- BMHT 2000-series, with wider 1 510 mm front axle, max 3 700 mm drill rod
- Long hole drilling kit for production drilling
 - Feed
 - Rear stinger
 - BSH 45 drill steel support
 - ARI 157 angle reading instrument
- BSH 110B for extension drilling (not for use with BMHT feed)

» Electrical system

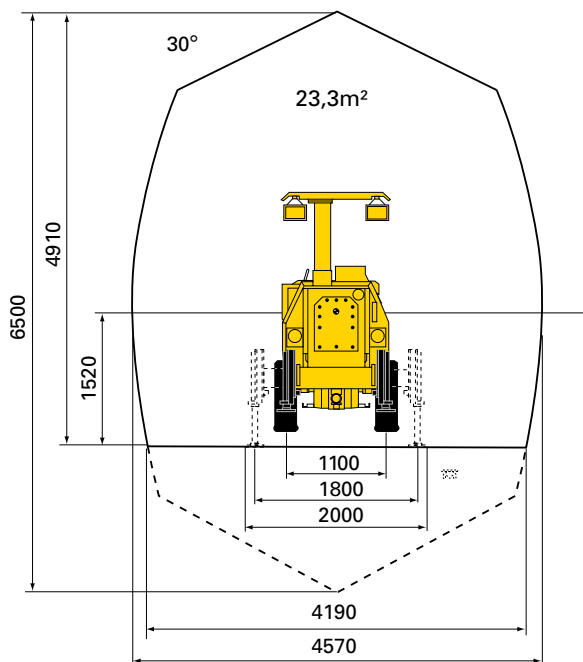
- 1 000 V, 50 Hz electrical system
- Switch gear (ground fault or pilot system)
- Electrical cable H07RN-F (not for 1 000 V) or Buflex
- Plug for electrical cable (PC 4)

Measurements

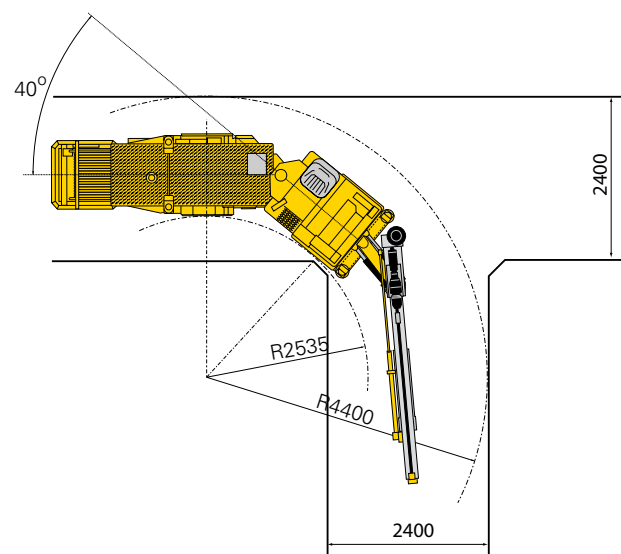
SIDE VIEW



COVERAGE AREA



TURNING RADIUS



DIMENSIONS

mm	Width	1 220
	Height, roof down	1 990
	Height, roof up	2 690
	Length with BMH 2337 feeds	9 990
	Ground clearance	275

RECOMMENDED CABLE SIZE AND LENGTH

Voltage	Type	Dimension, mm ²	Diameter, mm	Length, m
380 V	H07RN-F	4G35	38	80
	Buflex	3x50+3G10	33	85
1 000 V	H07RN-F	N/A	N/A	N/A
	Buflex	3x25+3G6	29	140

Recommendations are given for surrounding temperature of 40° C and up to a height of 2 000 m.

TRAMMING SPEED

km/h	On flat ground (rolling resistance 0.05)	>8
------	--	----

WEIGHT

gross weight, depending on configuration		
kg	Total	9 000