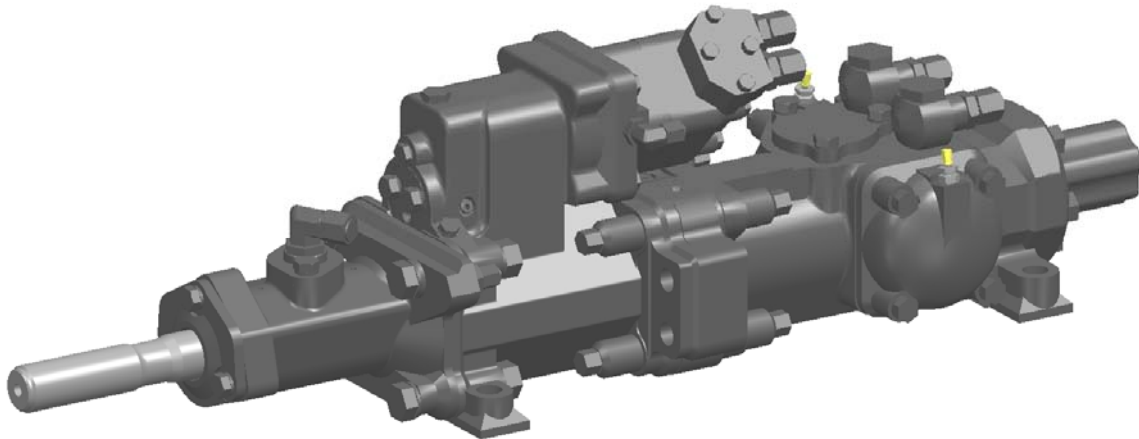


Hydraulic rock drill HL 710



APPLICATION

HL 710 hydraulic rock drill is designed for long hole drilling of 64 - 115 mm diameter holes. It is used in Sandvik underground production and surface drill rigs.

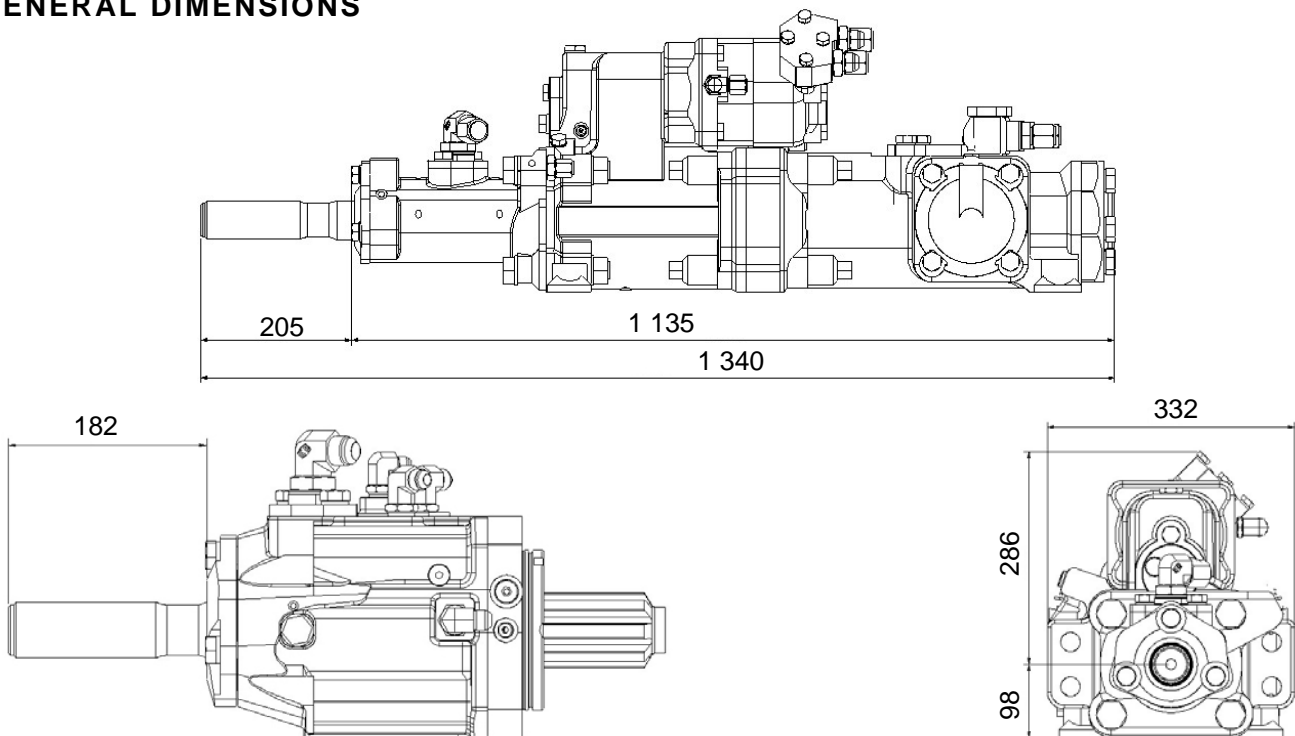
MAIN CHARACTERISTICS

HL 710 is a heavy hydraulic percussive rock drill with independent rotation and separate flushing. High drilling capacity and reliability is achieved through functional modules. Two rotation motor options are available for torque/speed adjustment. The design is covered by several patents.

MAIN SPECIFICATIONS

Hole diameter	64 - 115 mm
Power class	19,5 kW
Percussion rate	42 - 52 Hz
Operating pressure	
Percussion	100 - 190 bar
Rotation (max)	200 bar
Rotation motor type	OMT 200/250/315
Drill steels	38/45/51 mm
Shanks	
38 mm rods	T38/600
45 mm rods	T45/600
51 mm rods	T51/600

GENERAL DIMENSIONS



TECHNICAL DATA

MAIN DIMENSION

Length	1 035 mm (UG) 1135 mm (SF)
Profile height	286 mm
Width	332 mm
Weight	245 kg

ROTATION MECHANISM

Motor	Orbit type (3 options)
Motor type 1	OMT 200
Torque (at 200 bar)	1 095 Nm
Rotation speed	0 - 180 rpm
Flow (at max speed)	79 l/min
Motor type 2	OMT 250
Torque (at 200 bar)	1 335 Nm
Rotation speed	0 - 180 rpm
Flow (at max speed)	99 l/min
Motor type 3	OMT 315
Torque (at 200 bar)	1 765 Nm
Rotation speed	0 - 180 rpm
Flow (at max speed)	128 l/min

FLUSHING

Max pressure (air/water)	20 bar
--------------------------	--------

ACCUMULATORS

Accumulator gas	Nitrogen N2
High pressure (HP)	80 bar
Low pressure (LP)	4 bar
Filling valve	Vg8 DIN 7756

SHANK LUBRICATION

Air flow (at 6 bar)	200 - 300 l/min
Pressure	4 - 7 bar
Oil consumption	250 - 550 g/h

OIL RECOMMENDATION

Oil operating temperature	+40 - +60 °C
Oil recommendation	See Sandvik drill rigs lubricant recommendation for detailed information

OPTIONS

- Power extractor (see separate specification)
- Special tools for HL 710/complete set, ID 150 730 78
- Special tools for HL 710/field tool set, ID 150 734 88

Sandvik Mining and Construction reserves the right to change this specification without further notice.